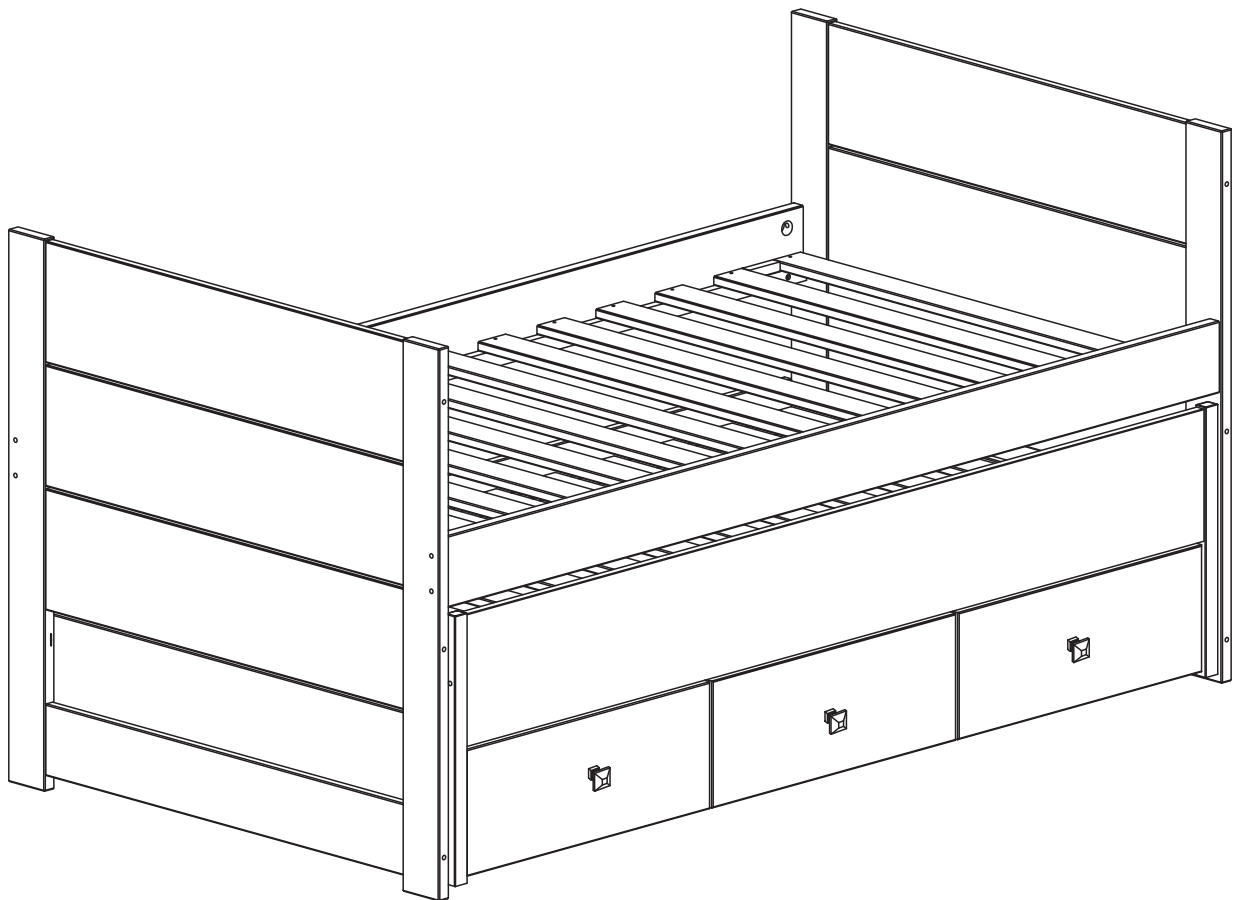




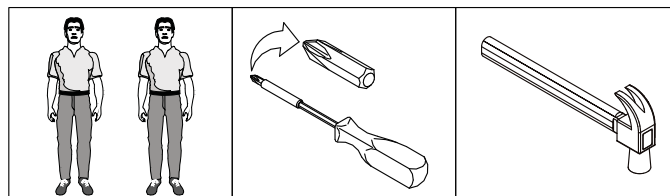
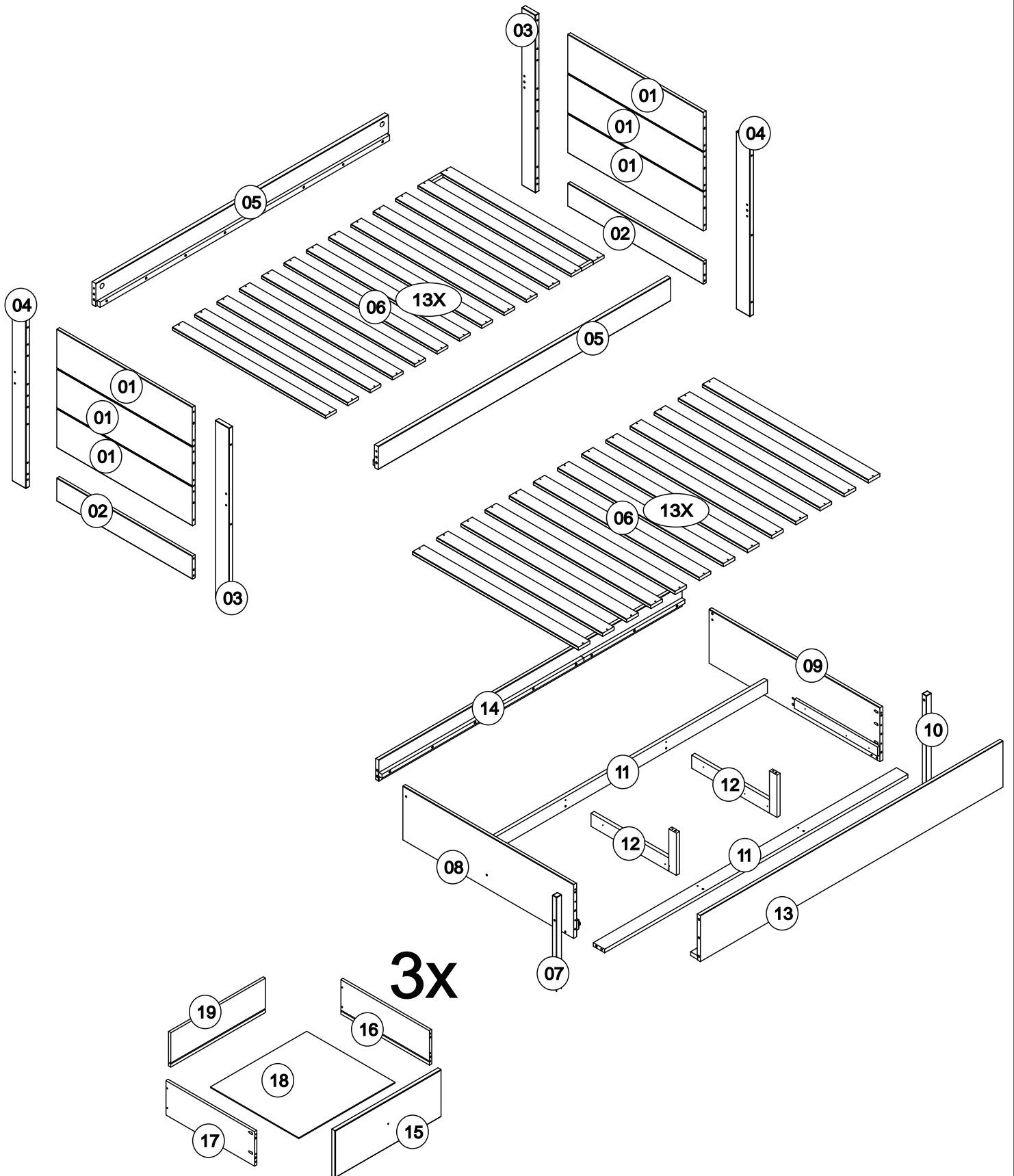
All in One Twin Bed with Twin Trundle and Drawers

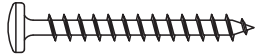




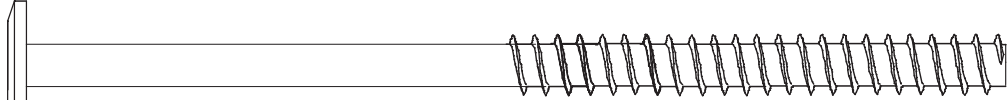
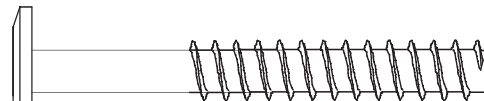


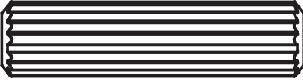
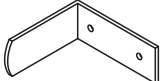

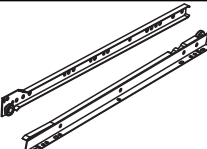
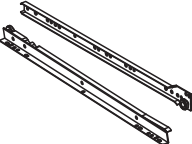


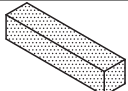
Bedz King BK551



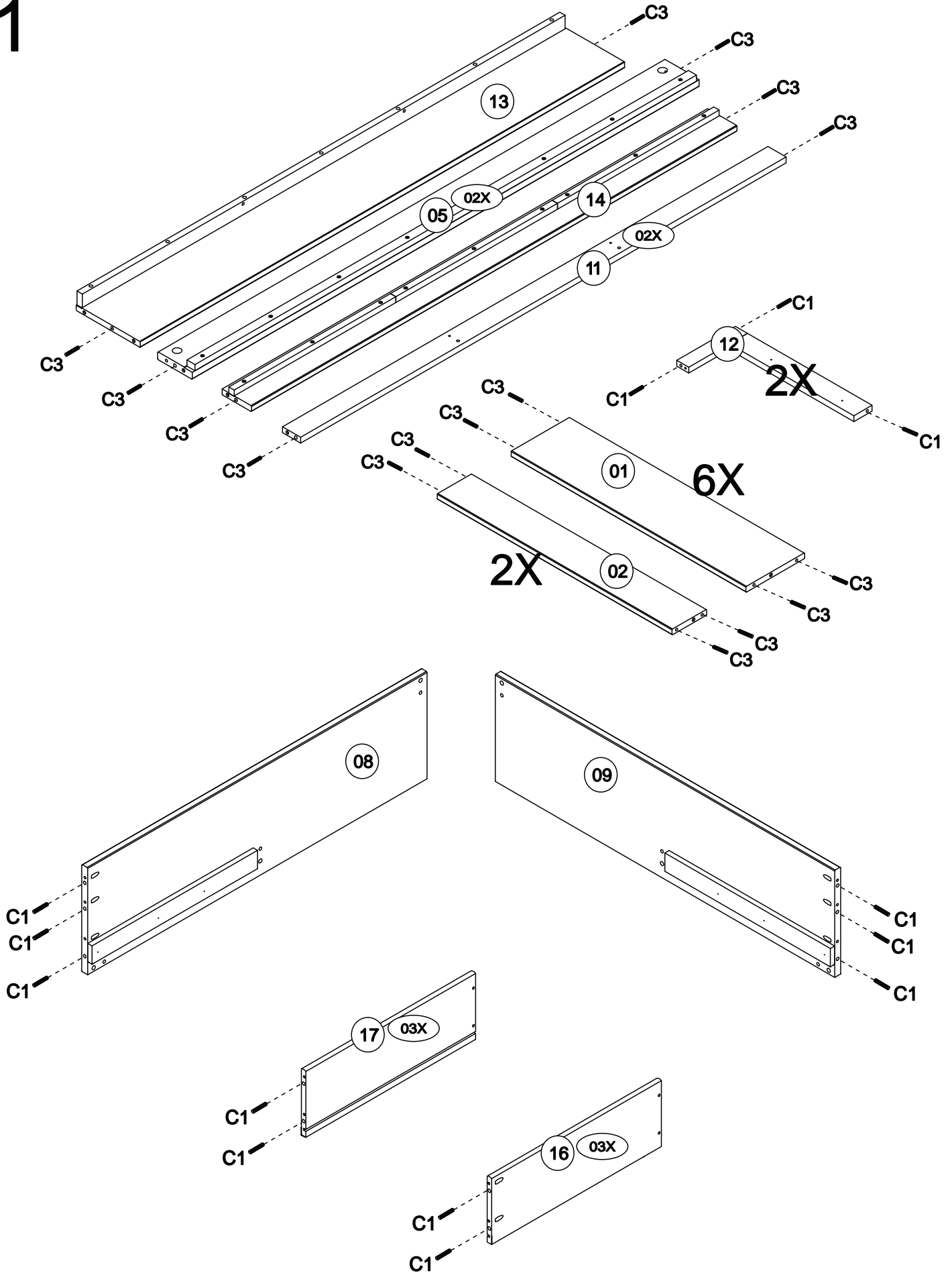
Thank you for purchasing your furniture from Bedz King.

Every effort has been made to ensure your Furniture is of the finest quality. If you have any questions, please do not hesitate to contact us at info@bedzking.com

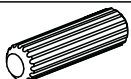


			Qty.	Extra
A1		4x30	82	+2
A5		3,5x16	56	+2
A16		4 x 40	04	
A26		M4 x 25	03	
B5		1/4"	08	+2
B11		7x130	12	
B17		7 x 60	12	+2
B26		1/4" x 80	08	+2
C1		8x30	24	+2
C3		10x40	44	+2
D23			02	
E8			04	
E10			03	
E11			03	
G8			01	
H3			03	
J		SLAT SPACER	02	

1



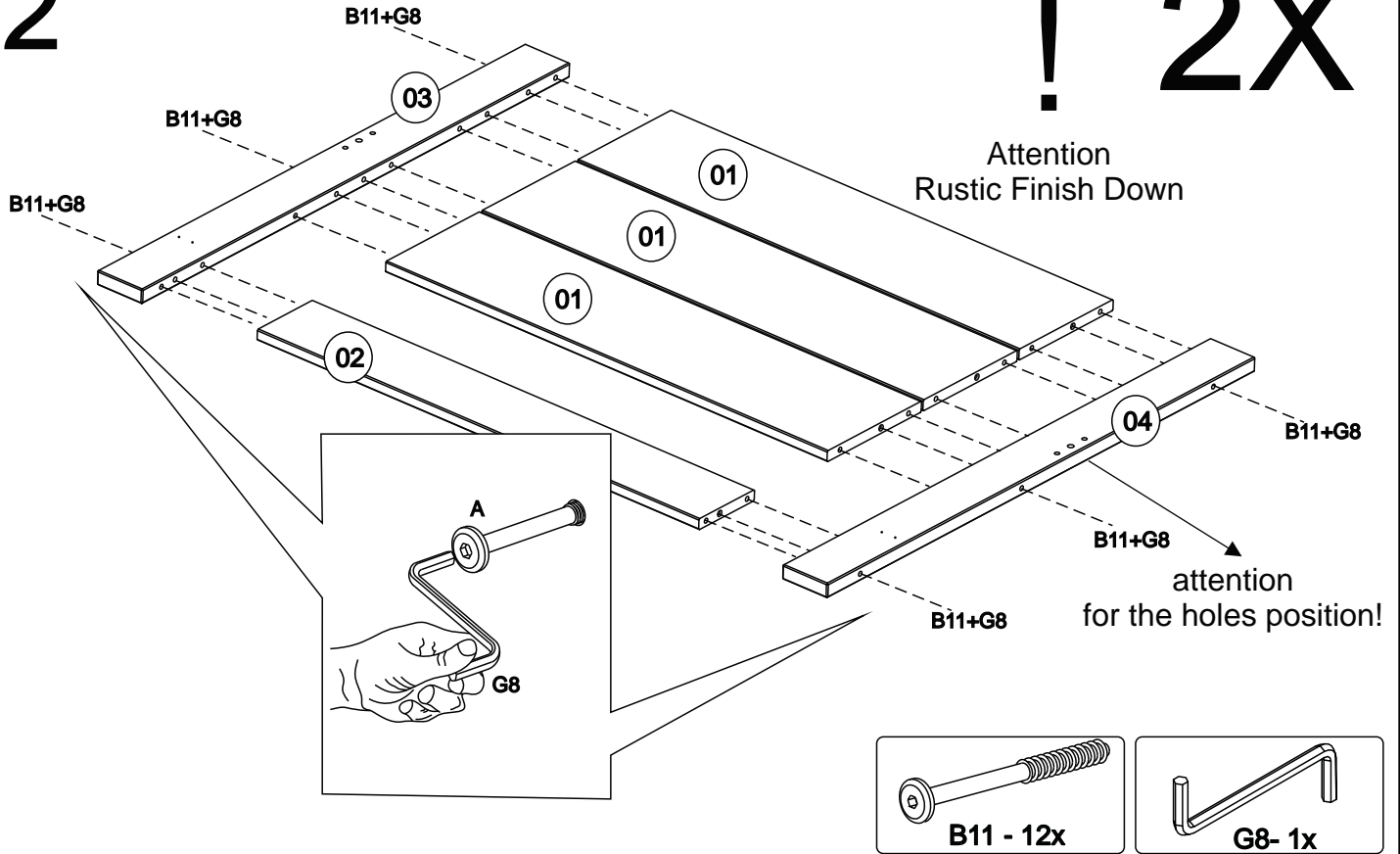
C1 - 24x



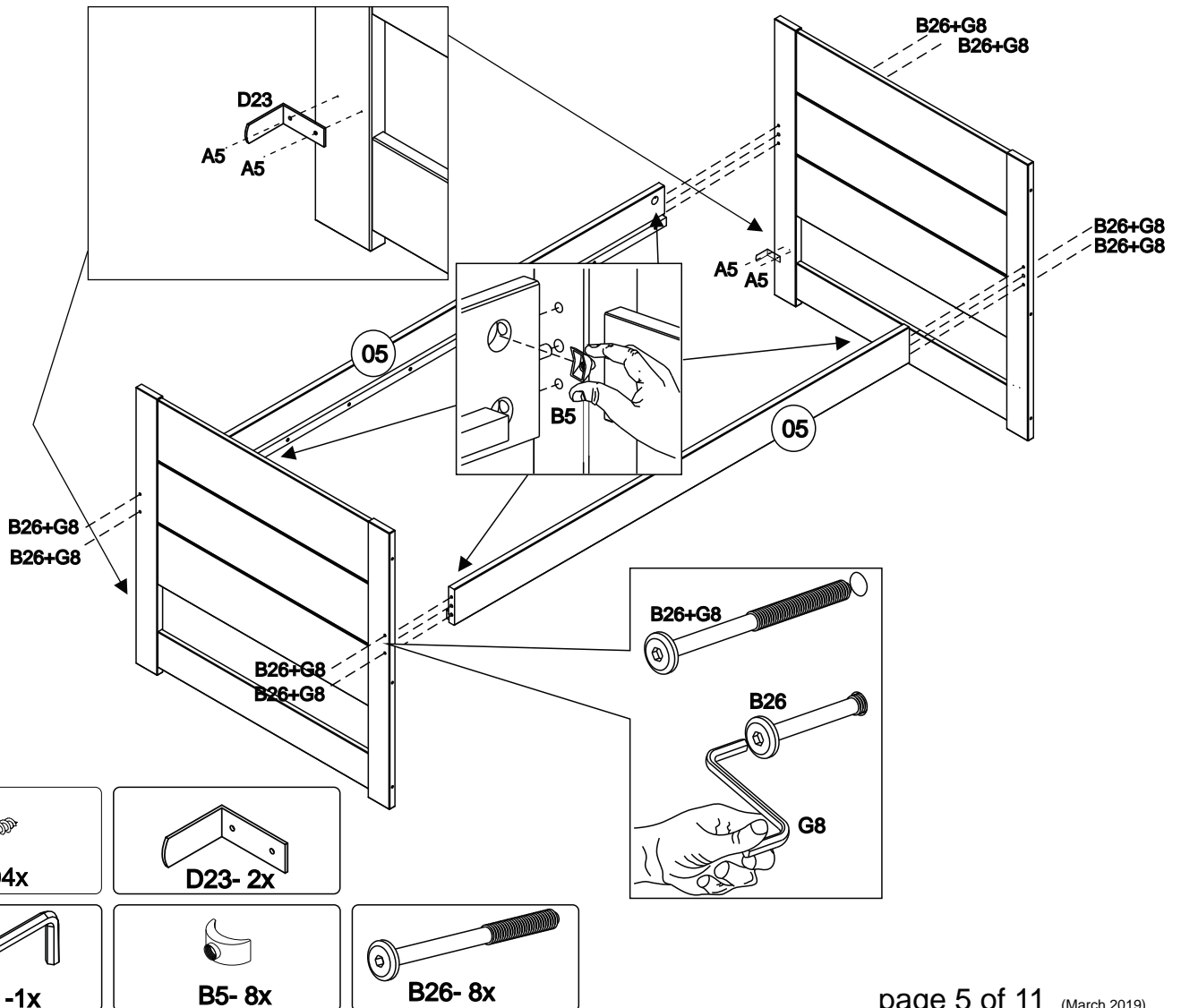
C3 - 42x

2

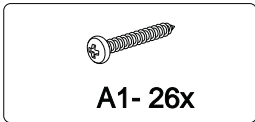
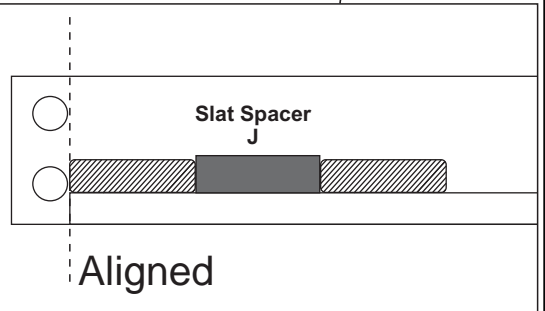
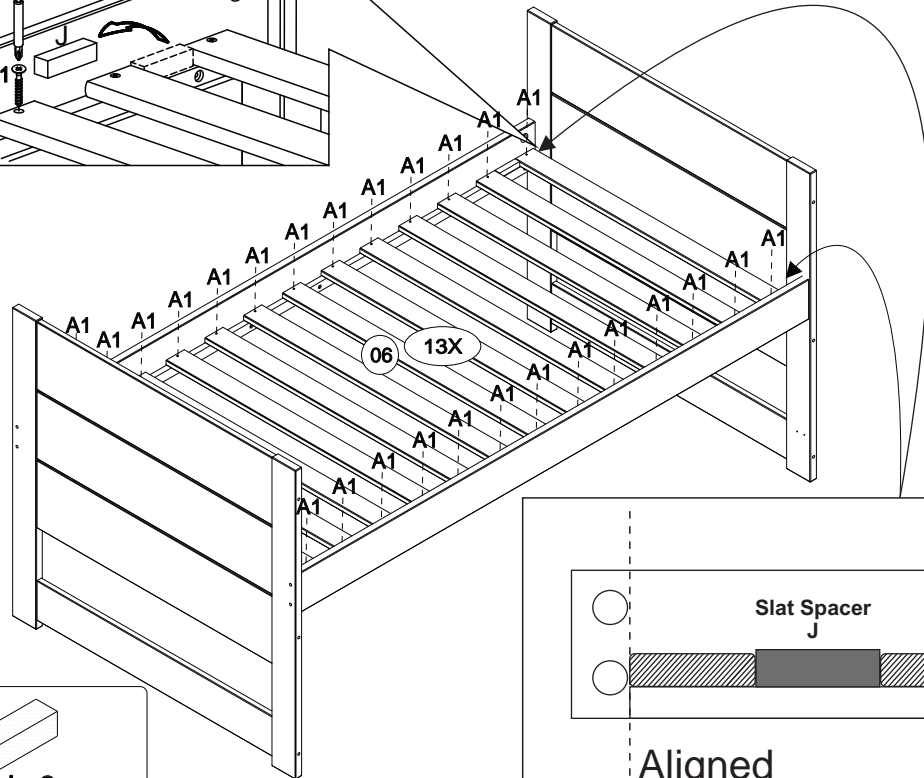
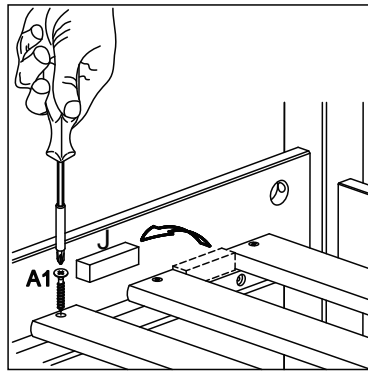
! 2X



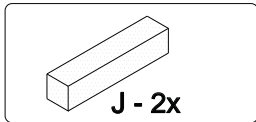
3



4

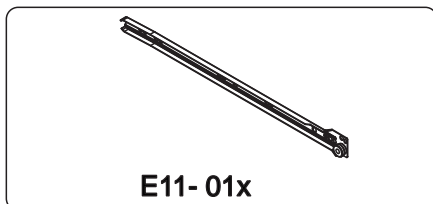
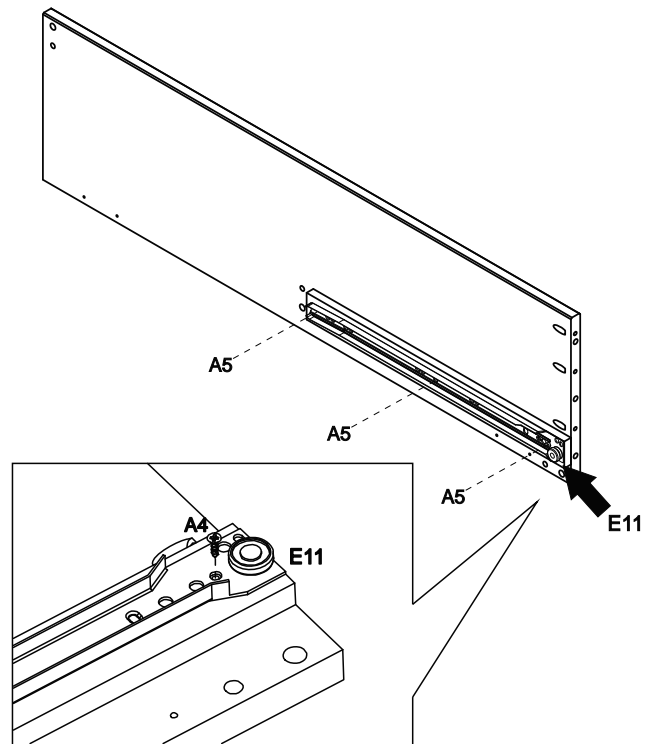
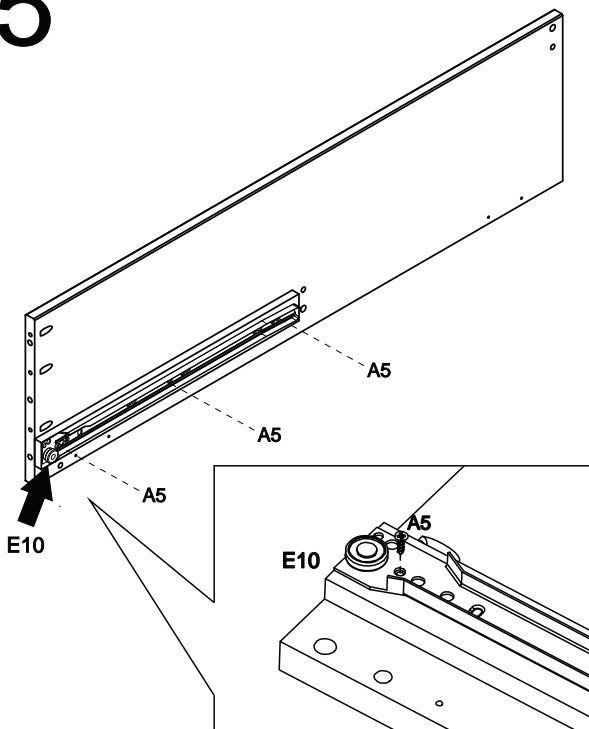


A1-26x

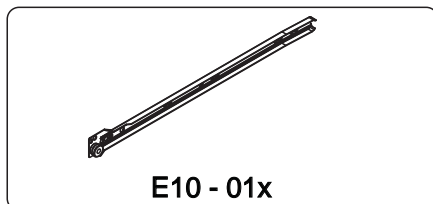


J-2x

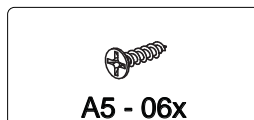
5



E11-01x



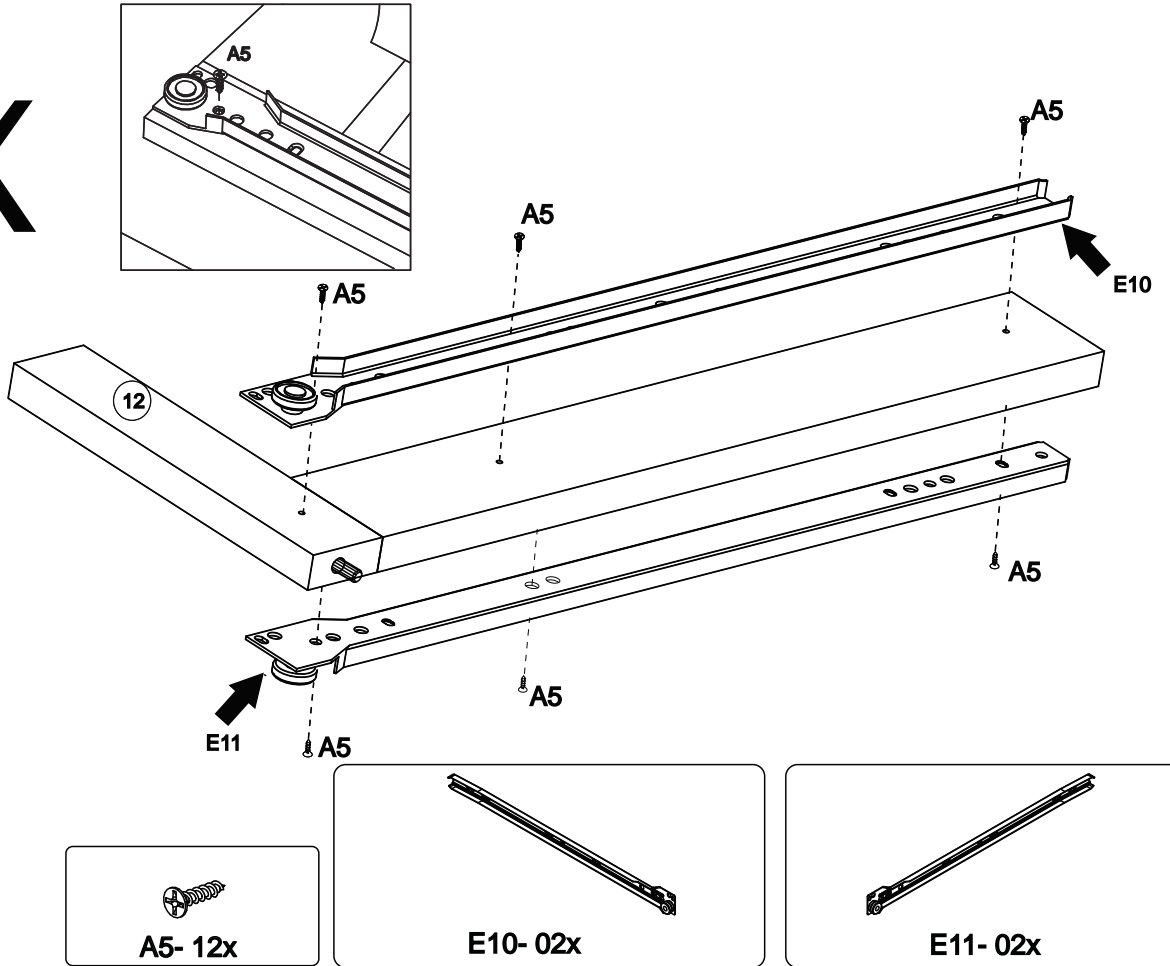
E10-01x



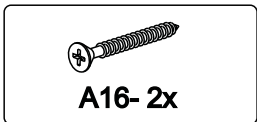
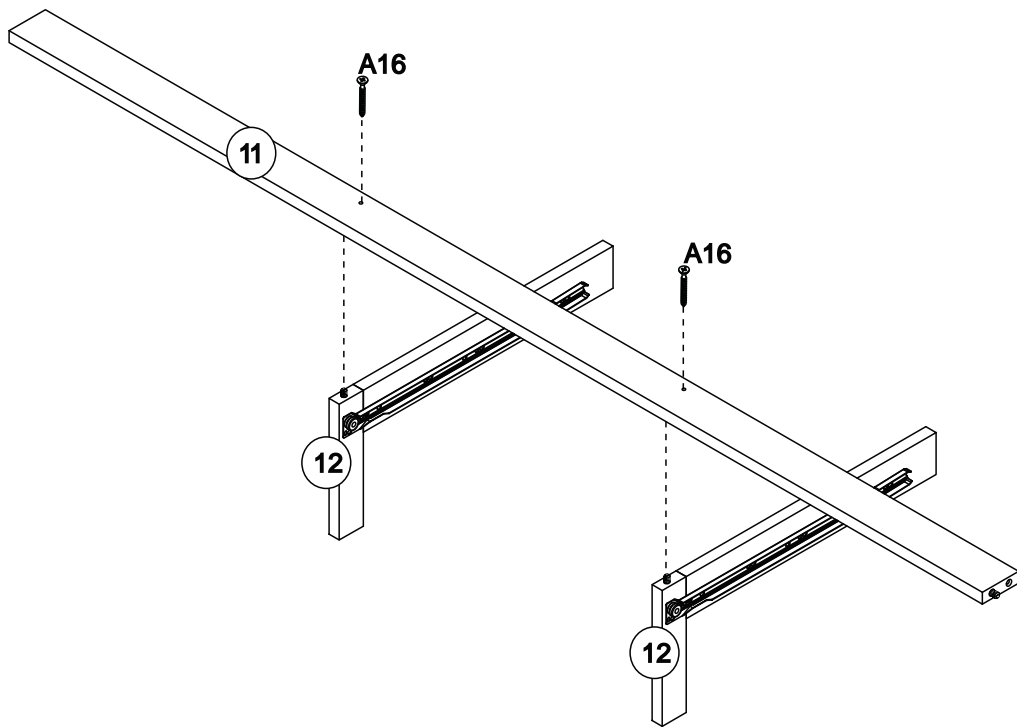
A5-06x

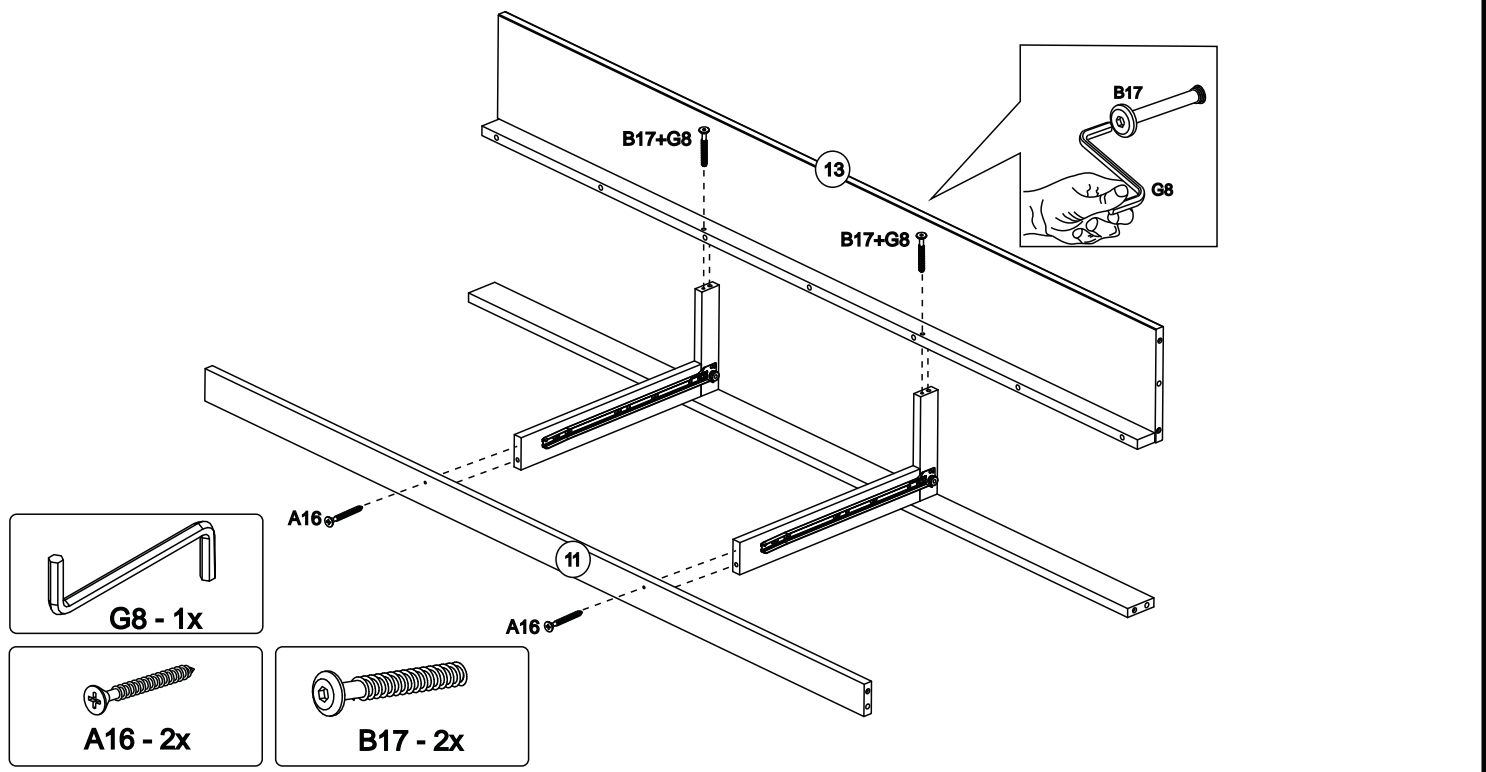
6

2X

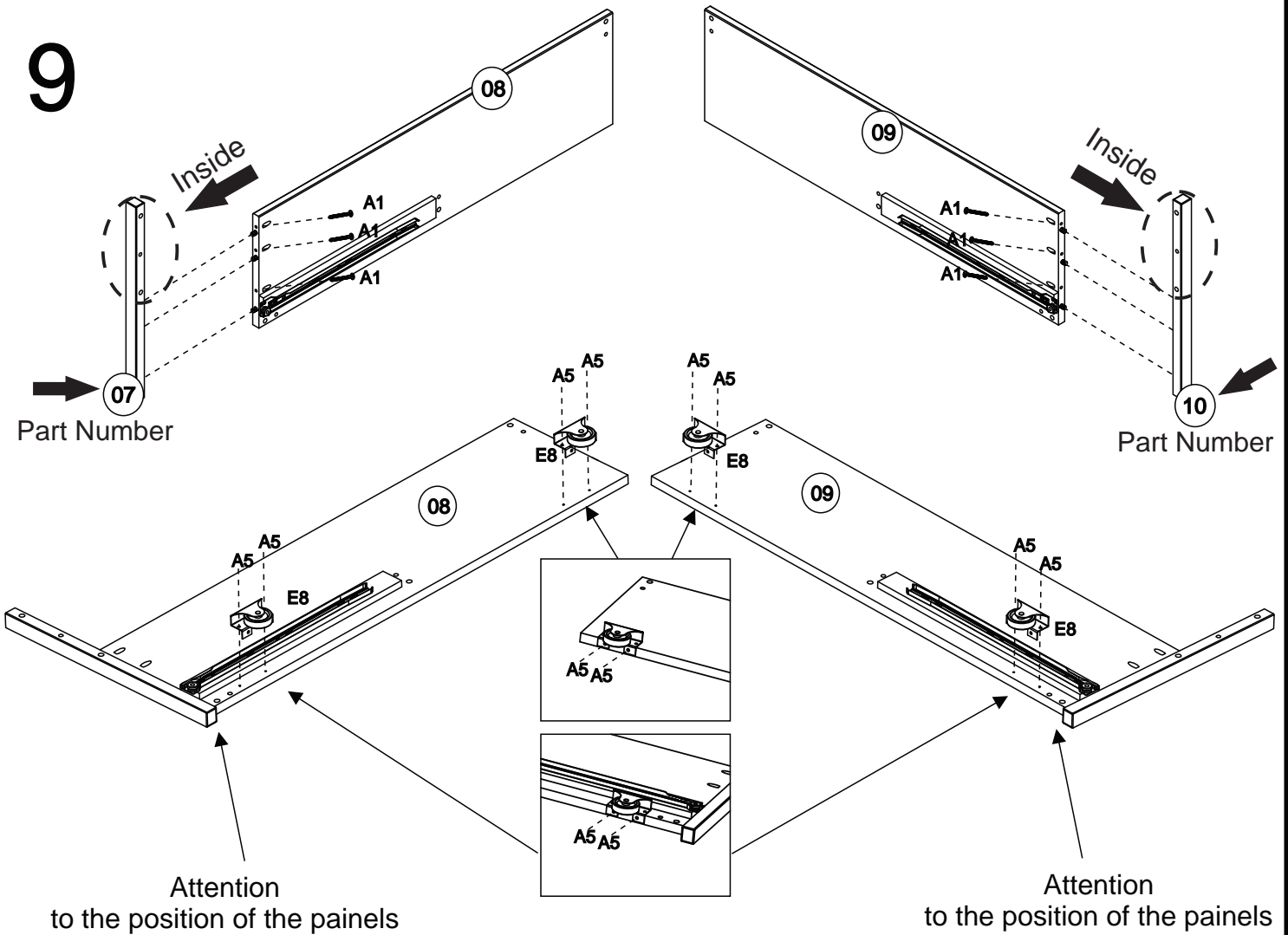


7

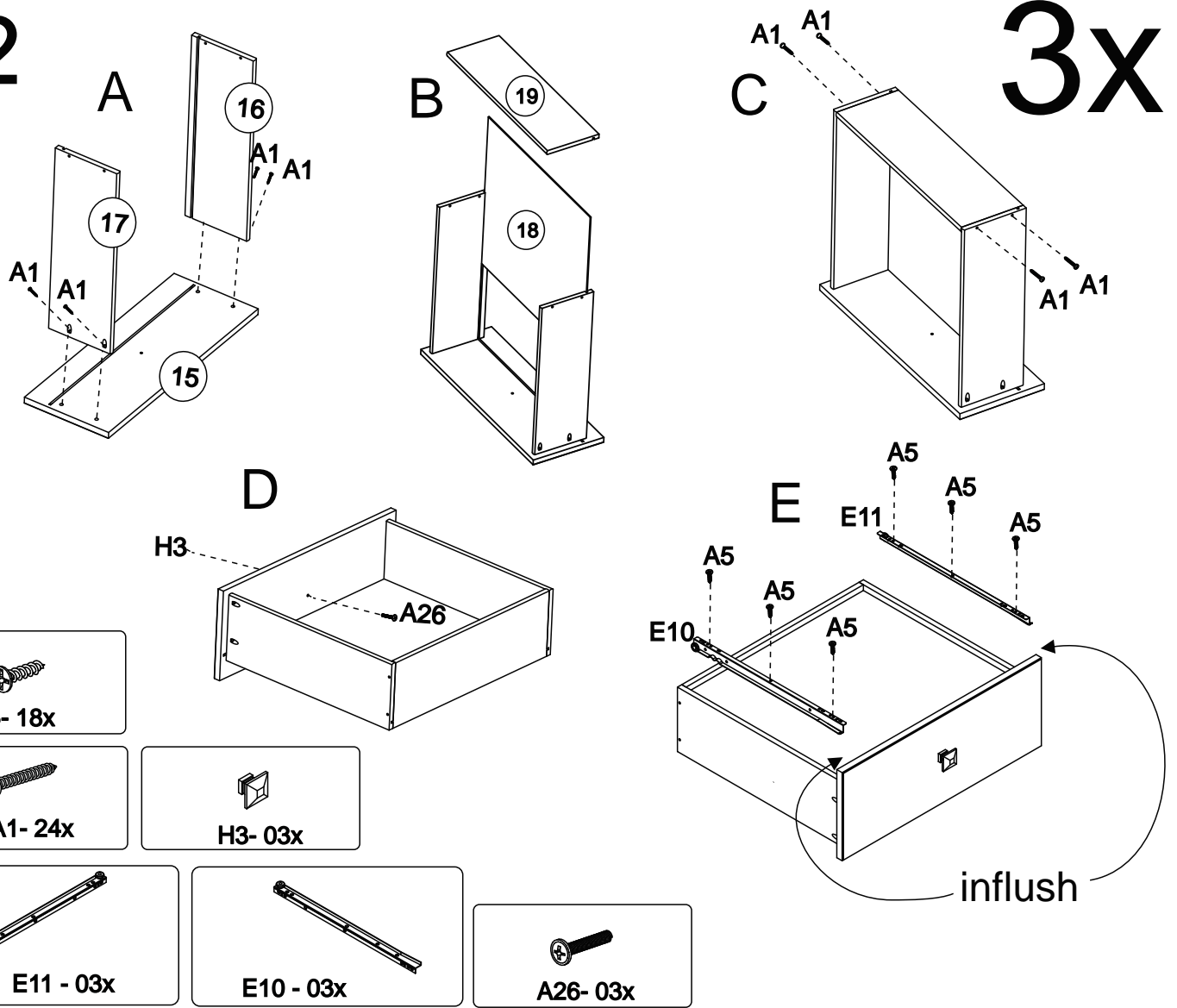




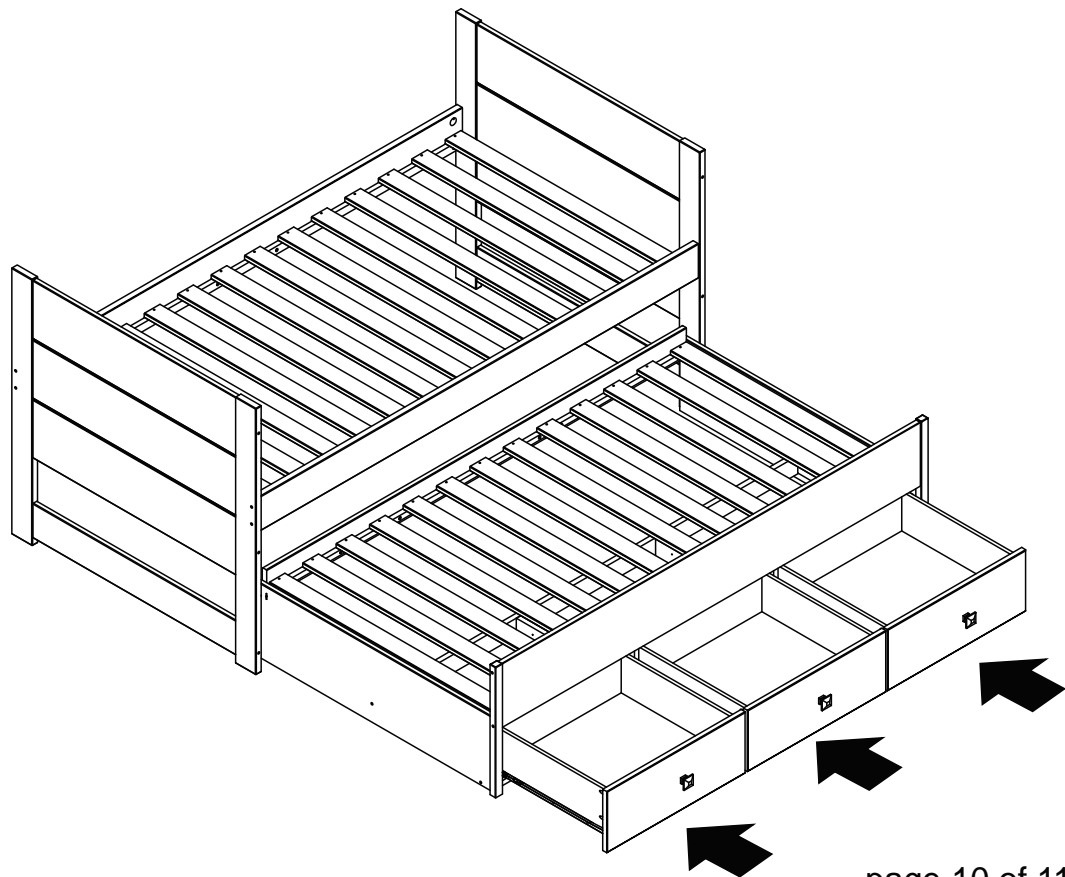
9



12



13



BEDDING SPECIFICATION

- Always use the recommended size mattress or mattress support or both, to help prevent the likelihood of entrapment or falls.
- All Bedz King beds are supplied with a complete slat kit, so there is no need for a foundation or bunkie board.

BED MATTRESS SPECIFICATIONS

Twin Bed

Only use a mattress that is 74" - 75" long and 37 1/2" - 38 1/2" wide.

REPLACEMENT PARTS

- Replacement parts may be obtained by contacting Bedz King LLC at info@bedzking.com

ASSEMBLY TIPS

- Power tools are not recommended for assembling your furniture.
- Give yourself plenty of room to work.
- It must be assembled within the space it will occupy.
- The assembly will require at least two people to complete.
- Make sure all the fasteners are tight.
- Take your time and read the instructions carefully.

WARNING - CHOKING HAZARD

To be Assembled by Adults only!

Small parts can be a choking hazard for children